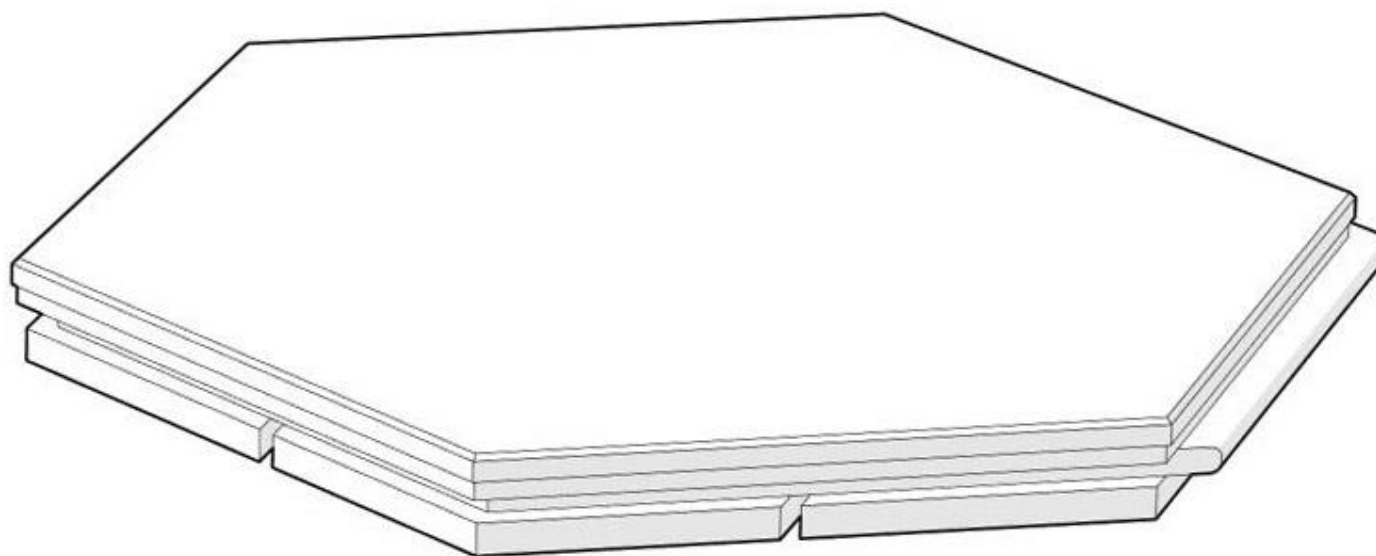
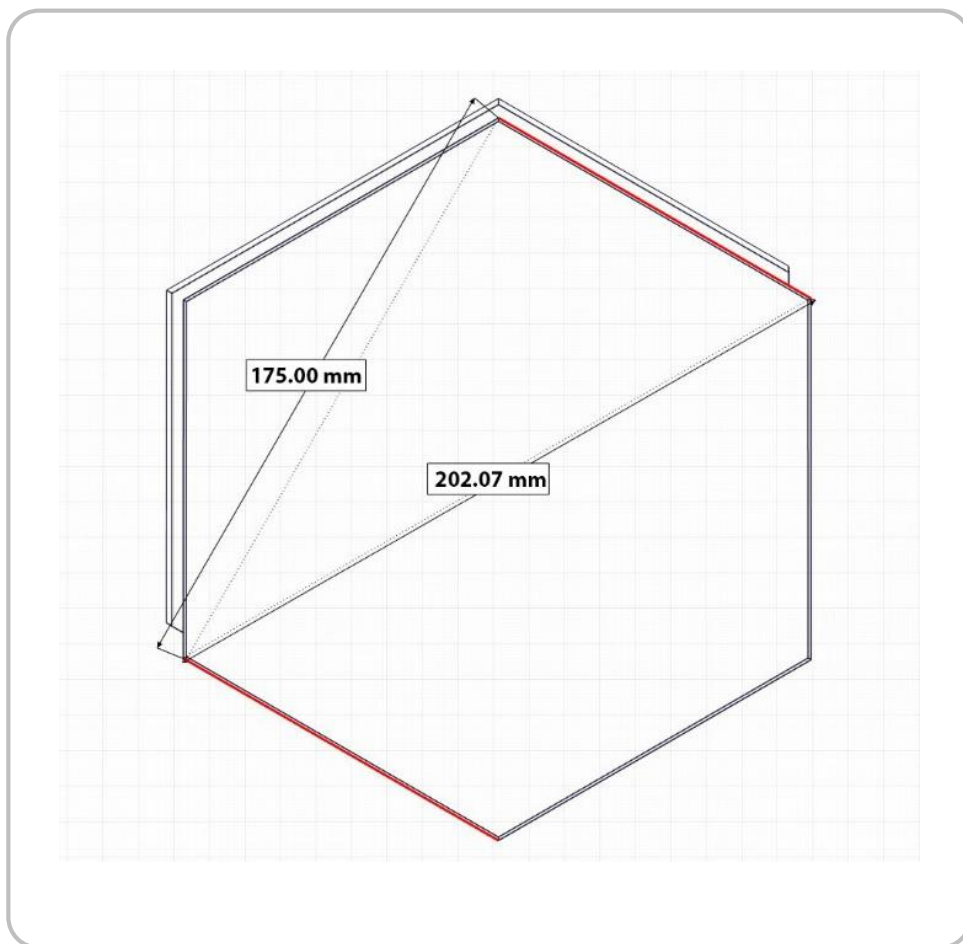


**Curonians Parquet
HEXIE**





Curonians Hexagon parquet technical information

Thickness: 12 or 16 mm

Top layer: 4mm oak hardwood (other wood species on request)

Back layer: plywood (8 or 12 mm)

Size: 175x202 mm

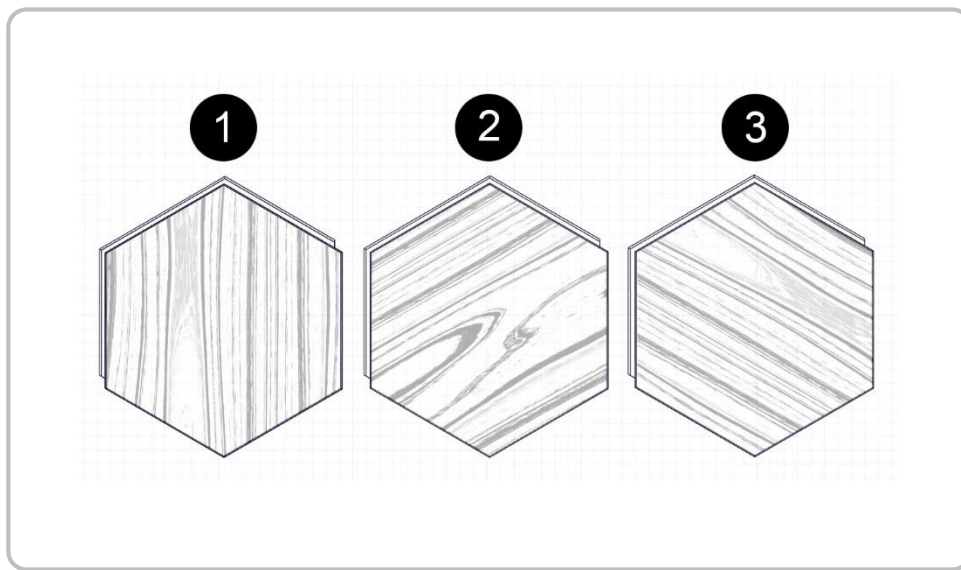
Joints: U-shaped tongue and groove

Finish: natural or oiled

Surface treatment: smooth

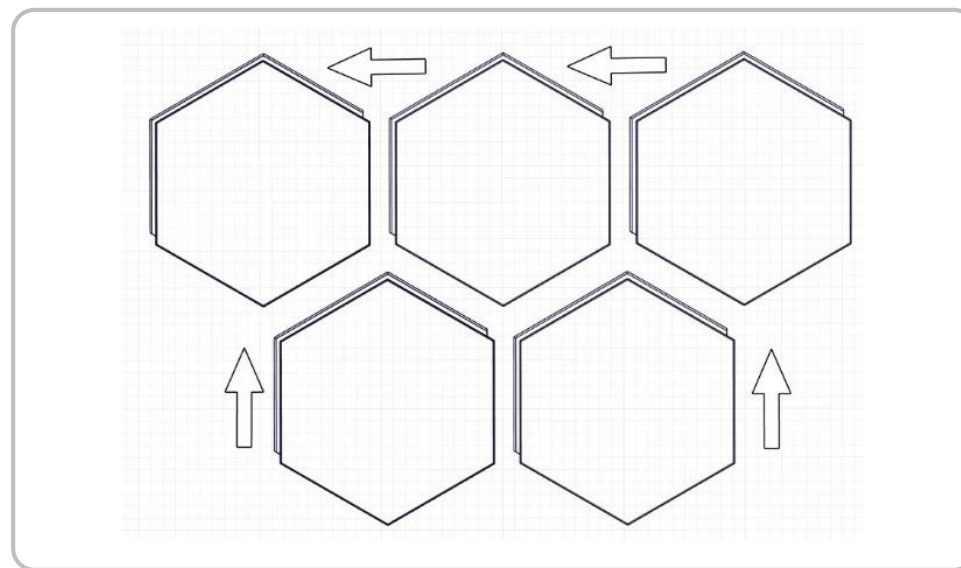
Weight: 12 kg/sqm (for 16 mm material)

Installation: glue down.



HEXIE installation instruction

- Every hexagon from another side is marked with numbers: 1; 2; 3. These labels mark three different types of wood fiber direction. To get better visual result, it is advisable to place these labeled elements in a maximally mixed order in the process of installation.



- In order to avoid deadening in the laying process, it is also necessary to follow the direction recommendations given in the drawing about U-shaped tongue and groove

- Installment: glue down